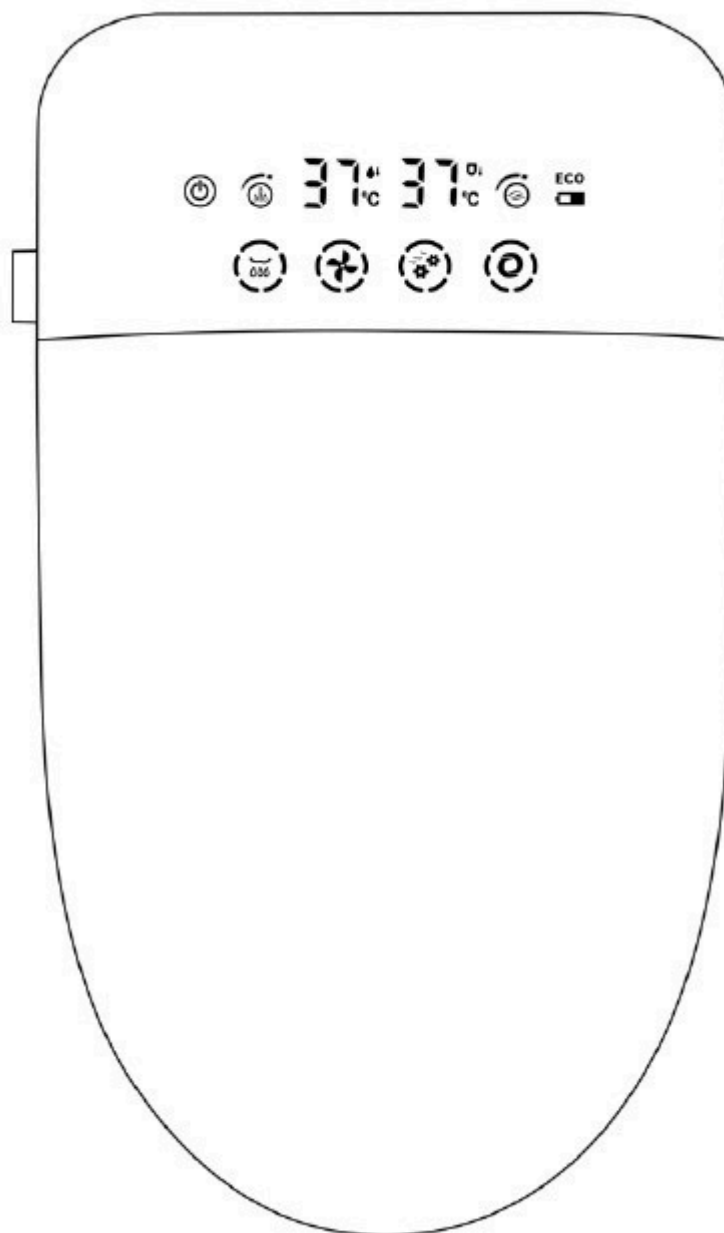


MANUAL

Intelligent & Premium toilet



Please read the instructions carefully and keep them properly before using the product.

Warning

- This product must be reliably grounded, otherwise it may cause electric shock due to malfunction or short circuit. If unsure, please contact an electrical installation company.
- Do not touch or unplug the power plug with wet hands, otherwise there is a risk of electric shock.
- Do not use bad power sockets or damaged power plugs, otherwise it may cause poor contact, damage, electric shock or fire hazards.
- Please use the power socket within the specified range (AC 220V \pm 10%, maximum current above 10A), and install a waterproof cover on the socket, otherwise it may cause fire or electric shock.
- Please do not pull, damage, forcibly bend or twist, stretch, curl, tie, bear weight, excessively squeeze the power cord, otherwise it may cause the power cord to break and lead to electric shock or fire.
- If the power cord is damaged, to avoid danger, it must be replaced by the professional personnel designated by our company, otherwise it may easily cause electric shock or fire.
- Please do not use industrial water or polluted water sources, otherwise it may cause cystitis, dermatitis, and electric shock or fire due to internal corrosion of the machinery.
- Please avoid installing and using in damp and water-prone bathrooms.
- Do not spray water onto this product or wash it with water to prevent water from entering and damaging the product. Otherwise, it may cause electric shock or fire.
- Do not throw lit cigarettes or other burning objects into the smart toilet seat, as it may cause a fire.
- Do not use during thunderstorms (when lightning occurs nearby, please unplug the power plug), otherwise accidents or malfunctions may occur.
- When the seat ring and cover plate are damaged, to avoid danger, please unplug the power plug as soon as possible and contact the local dealer for replacement. Otherwise, it is easy to cause electric shock and fire.
- Please regularly unplug the power plug and wipe the water mist and dust on the power plug with a dry cloth, otherwise it may cause electric shock or fire due to poor insulation.
- People with physical, sensory, intellectual disabilities or lack of common sense (including children), please use with someone accompanying you, otherwise long-term use may cause personal injury.
- Children should not play with this product, otherwise it may cause personal injury.

- Non-designated professional maintenance personnel are strictly prohibited from disassembling, repairing, or modifying this product, otherwise it may cause electric shock, fire, or abnormal operation, resulting in personal injury.
- Do not urinate into the warm air outlet position, as there is a risk of electric shock.
- Do not add water or cleaning agents to the smart toilet, otherwise it may cause electric shock or fire.
- Do not insert hands or other objects into the warm air outlet. It is strictly prohibited to cover the air outlet during warm air drying work, otherwise it may cause electric shock or fire.
- When cleaning and maintaining plastic, do not use inappropriate cleaning agents (such as concentrated sulfuric acid, concentrated nitric acid, glacial acetic acid, carbon tetrachloride, chloroform, acetone, benzene, toluene, phenol, dimethylformamide, methanol, soybean oil, acetate, 40% nitric acid, concentrated hydrochloric acid, 95% alcohol, gasoline, kerosene, etc.), otherwise it may cause the plastic to crack, resulting in personal injury, electric shock or fire.
- Please do not lean back or stand on the seat cover, or forcefully open or close the seat cover or seat ring, in order to avoid shortening the service life or causing damage, which may result in breakage or personal injury.

Attention

- ◆ Do not use the high setting for seat temperature and wind temperature for a long time, otherwise there is a risk of burns from prolonged use.
- ◆ During use, please keep the skin close to the sensing area of the seat ring, otherwise the cleaning or warm air drying function cannot be activated.
- ◆ When children use it, it may be difficult for them to make contact with the sensing area of the seat ring, which may cause insensitivity or failure to sense. When washing the buttocks, if the model has a child washing function, the "child washing button" on the remote control can be used.
- ◆ Please be sure to use the new hose components that come with this product. The old components cannot be reused. If there are other waterway
- ◆ Connectors included, please be sure to replace them together, otherwise it may cause water leakage and property damage.
- ◆ When there is a sudden power outage, please unplug the power and turn off the angle valve, otherwise it may cause water leakage and property damage.
- ◆ Please avoid direct sunlight or placing heating equipment near this product, otherwise it may cause discoloration of the product.
- ◆ To avoid danger caused by the mis-reset of the thermal circuit breaker, do not power the device through external switch devices, such as timers or circuits connected to universal components for on/off switching.
- ◆ When cleaning the angle valve filter, please be sure to turn off the water supply angle valve. When installing, tighten it and check for leaks.
- ◆ When not in use for a long time, such as on a business trip or traveling, please be sure to
- ◆ unplug the power plug, turn off the water source, and drain the accumulated water inside the product. Otherwise, the accumulated water inside may freeze and cause component breakage, leading to fire or water leakage.
- ◆ During the cold season, when products are transported or stored for a long time, any remaining water inside the product may freeze. To prevent damage caused by freezing, please take anti-freezing measures. Otherwise, the internal water may freeze and cause component rupture, leading to fire or leakage.
- ◆ Our company reserves the right of final interpretation for this user manual.

Install service

1. When you receive the smart toilet, please fill in the product SN code, contact name and phone number, installation time, installation address and other information.
2. It is not recommended for users to install the smart toilet by themselves. Please make sure to make an appointment with authorized service personnel to install it at home. Users are responsible for any accidents or losses that occur during self-installation.

Table of Contents

Products and accessories	2
Installation method	3
Remote control installation	7
Remote Control User Manual	8
Toilet Usage Instructions	12
Daily maintenance	14

Products and accessories

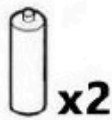
Accessories

Please check the accessories and materials carefully after opening the package. If there is any damage, please contact the dealer or our after-sales service department in time so that we can serve you.

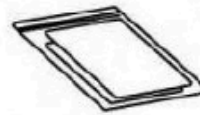
Please keep the user manual, warranty card, etc. properly for your future use and maintenance. The packing list is as follows:



Remote control



Battery

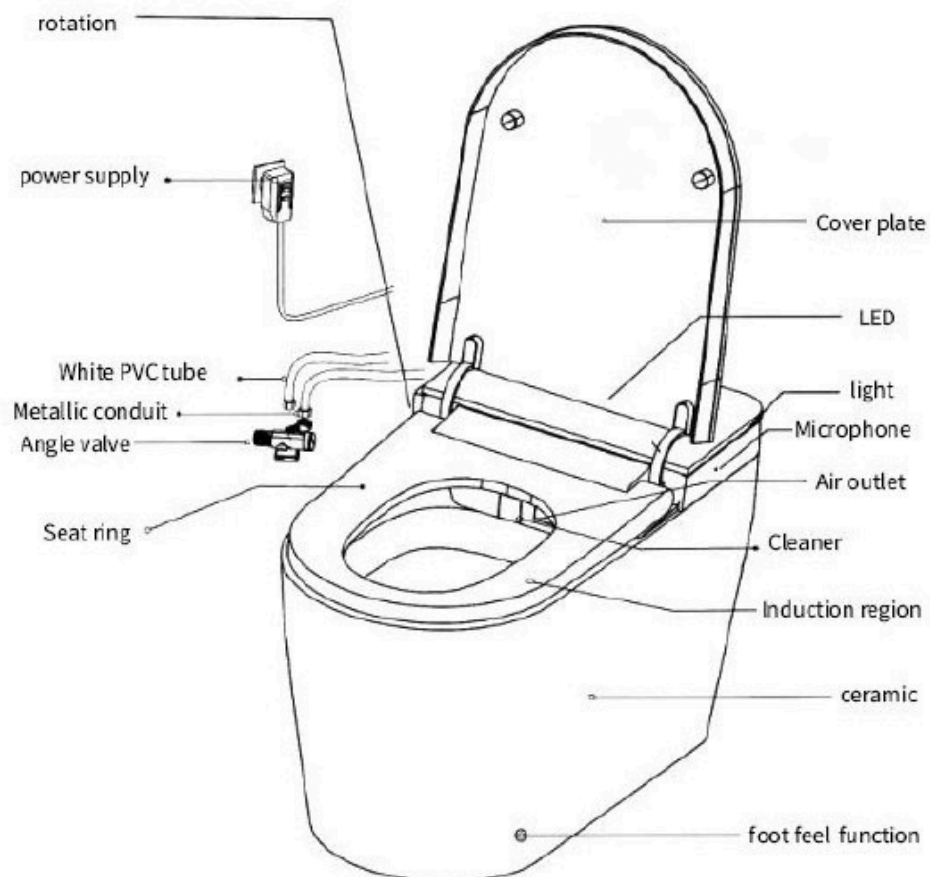


Manual/Instruction booklet



Integrated

Schematic diagram of the main components of the machine.



"The appearance and functions of the product are subject to the actual object."

Installation method

Preparation before installation.

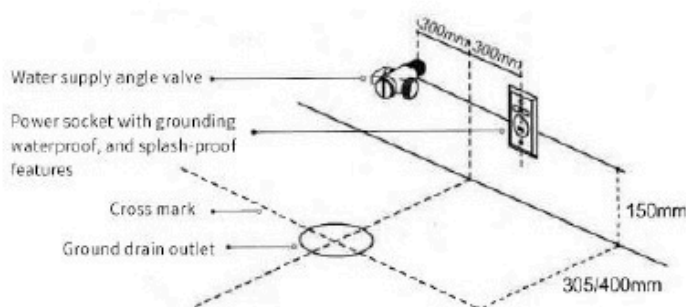
1. Please confirm that the distance between the sewage outlet and the wall is less than 400mm. If it is less than 400mm, please choose a product with a pit distance of 300. If it is greater than or equal to 400mm, please choose a product with a pit distance of 400.
2. Translate to en: If the amount of water flowing out in 10 seconds exceeds 3 liters and the water flow is stable, it indicates that the water pressure meets the installation standards for smart toilets. The minimum dynamic working water pressure is 0.14MPa, and the maximum static water pressure is 0.75MPa. If the pressure is too low, a booster device needs to be installed.
3. To ensure the product can be used properly, please install it correctly according to this manual. Before installation, please check if all the files and accessories are complete.
4. Necessary tools: adjustable wrench, cross-head screwdriver, glass adhesive, pencil or marker pen, glass adhesive gun, carpenter's level, measuring tape, square ruler, etc.

Warm reminder:

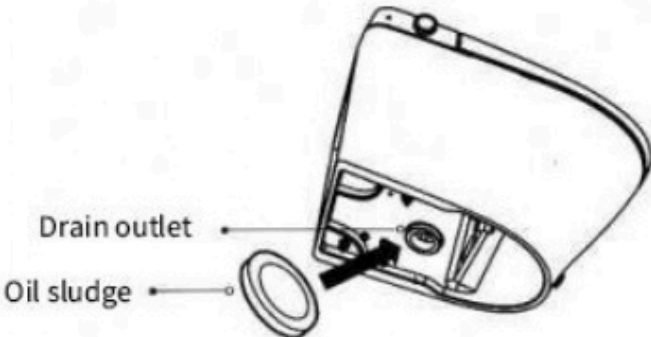
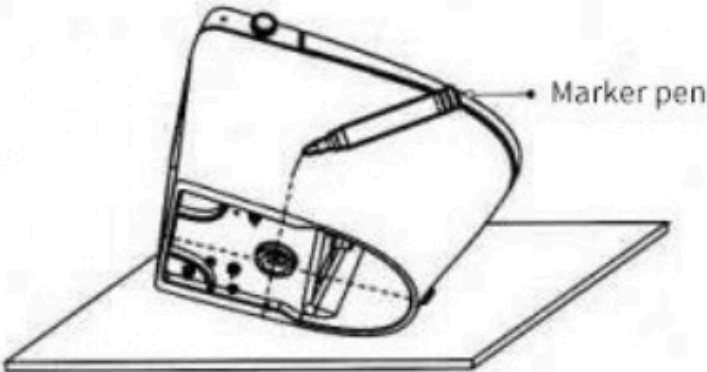
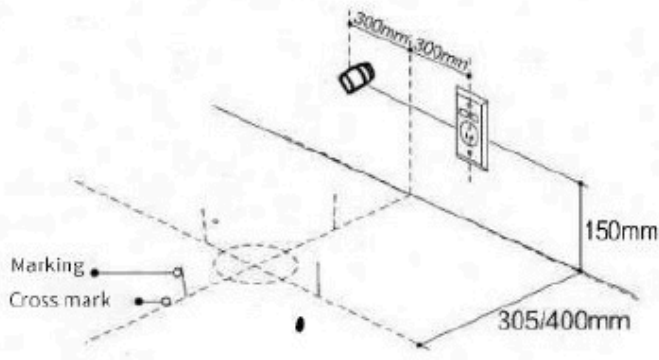
After connecting the water pipe and opening the angle valve, if the product sprays water from the nozzle, please plug in the power supply, and the toilet will automatically reset and stop the water flow from the nozzle. When disassembling, be sure to first turn off the power and water source.

1. During the cleaning process, if there is a power outage, please close the angle valve and stop the water supply. After the power is restored, please check if the function has returned to normal.
2. Please be sure to use the dedicated components and other accessories provided by our company. Old components cannot be reused. If there are other tools connected to the water source, please replace them together.

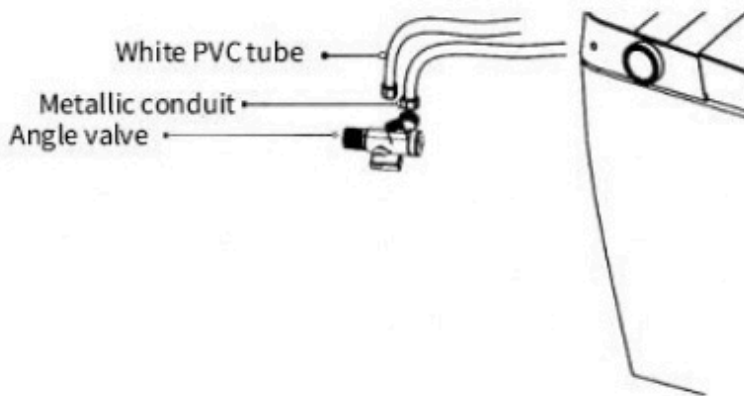
Installation



- Clean the ground thoroughly and wipe away any moisture.
- Remove the original water supply angle valve and install the configured water supply angle valve.
- The cleanliness and dryness of the ground will affect the firmness of the subsequent product fixation.

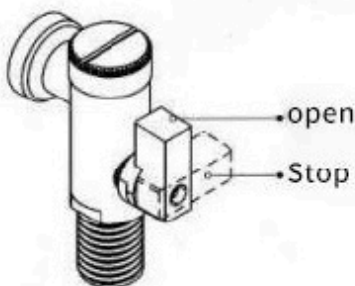
	<ul style="list-style-type: none"> • The cleanliness and dryness of the ground will affect the firmness of the subsequent product fixation.
	<ul style="list-style-type: none"> • Install the oil sludge on the ceramic. On the bottom of the discharge outlet, note the meaning is unclear. Please provide more context or information for me to accurately translate the text.
	<ul style="list-style-type: none"> • Flip the ceramic body over and place it on the prepared foam. • Visually, draw a line perpendicular to the ceramic bottom plane on the ceramic side corresponding to the center point of the ceramic sewage outlet, and do the same on the other side. At the same time, draw a line perpendicular to the ground at the midpoint of the front of the ceramic.
	<ul style="list-style-type: none"> • Two people lifted the ceramics and aligned the markings on the ceramic body with the cross mark on the ground surface, slowly placing the ceramics on the ground to align the two markings. After alignment, the ceramic body was pressed down to allow the oil mud to fully contact the ground and connect tightly with it. • After marking the alignment, do not move the ceramic body or shake it from side to side, otherwise the seal produced by the oil clay may be damaged, resulting in water leakage.

Install water pipes



1. Install the angle valve onto the water outlet reserved on the wall, then connect the white PVC pipe (with a 4-point filter inside the nut) for the cleaning water supply and the ceramic flushing water supply pipe to the two 4-point water outlets of the angle valve respectively. Pay attention to screwing the nut in by hand for two threads before tightening it with a wrench. Do not screw it crooked, otherwise it will damage the thread and cause water leakage.
2. Before connecting the water inlet pipe, please drain for 5 seconds to reduce impurities entering the machine (which may cause damage to the machine). If there are impurities in the pipeline, please extend the drainage time.

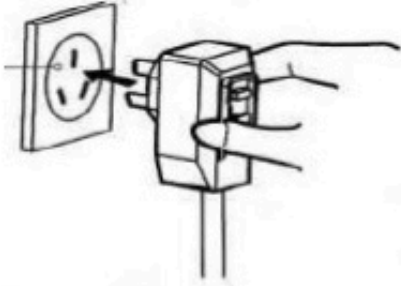
Confirm water supply



Rotate the water supply angle valve to the left to fully open it, and confirm all connections. There is no leakage in the area.

Note: If water leakage is found, please tighten the nut again and reinstall it.

Confirm water supply



1. Connect the ground wire.
2. Insert the power plug into the socket.
3. Confirm if the power is connected.

Check if the plug indicator light is on. If the indicator light becomes dim, please try pressing the middle reset switch.

Fixed product

1. After testing all product functions, fix the toilet and confirm that it does not shake or tilt.
2. Clean the parts of the toilet that come into contact with the floor and keep them dry.
3. Use a glass glue gun to apply glass glue along the bottom of the ceramic.

After applying the glass glue, please wait for 48 hours before using it.

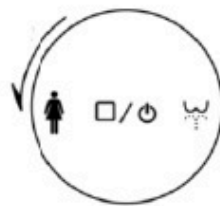
Please make small and gentle adjustments when adjusting the product, and do not make large adjustments.

Remote control installation

Clean the remote control and the installation location, peel off the backing adhesive of the bracket and stick it, then insert the remote control. On the bracket.

(Please install the remote control in a place that is not easily exposed to water.)

Remote control pairing/clearing code.



After the remote control is paired, one remote control can only control a unique smart toilet. Operation: Power-on self-test completed (displayed). After pressing the number 88 (or any other number), hold onto the "Feminine cleansing" button for 10 seconds and wait for a long beep to enter remote mode. Control code mode:

A Press any button on the remote control briefly, and you will hear 4 beeps indicating successful code pairing.

B After about 60 seconds of no operation, you will hear 4 beeps indicating a successful clearing of the code.

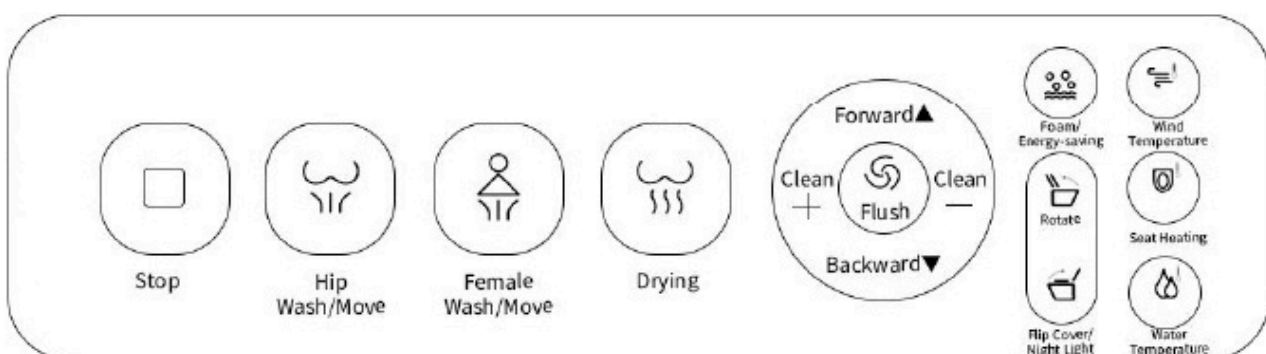
C If the code does not match, please repeat the steps above.

Test run

Check if all product functions are working properly.

Translate to en: Functions such as flushing, hip wash, feminine wash, water pressure adjustment, nozzle movement, water temperature, seat temperature, and air temperature adjustment.

Remote control diagram



Remote Control User Manual

Stop button

During the cleaning/drying process, press the [Stop] button briefly to stop the buttocks washing/women's washing/drying function.

Press and hold the "Stop" button for 5 seconds to turn on/off the toilet.

Hip wash/move button.

When seated, press the "Hip Wash/Movement" button briefly to activate the hip wash mode, which lasts for about 90 seconds. Press the "Hip Wash/Movement" button again to move the nozzle for cleaning, which also lasts for about 90 seconds. Press the "Female Wash/Movement" button for female wash mode.

Female wash/Move button

When seated, press the "Female Wash/Moving" button briefly to activate the female wash mode. The cleaning time is approximately 90 seconds. Press the same button again to move the spray wand for cleaning, which also takes about 90 seconds.

Drying button after cleaning.

When seated, press the "drying" button for warm air drying, the time is about 180 seconds,

Forward ▲/backward ▼ key.

During the cleaning process, press the 【forward▲/backward▼ key】 briefly to adjust the front and rear position of the spray rod.

Clean+/Clean- key

During the cleaning process, press the [cleaning+/cleaning- button] briefly to adjust the strength of the cleaning.

Flush button

Press the "flush button" briefly to flush the toilet once.

Foam/Energy-saving button (Only for some models)

Short press the "foam/energy-saving button" to make the toilet produce foam, which lasts for about 12 seconds. Long press for 5 seconds to activate the energy-saving mode: when leaving the seat, the seat ring maintains a constant temperature of about 28°C; when sitting down... (the rest of the text is missing).

At the time, it automatically returns to the original set temperature.

Kind reminder: When the automatic bubble function is set, bubbles will automatically come out when seated.

Rotate button

Short press the "rotate button" to rotate/lock the toilet.

Flip/Cover and Night Light keys.

Short press the flip/night light button to flip/close the toilet lid.

When seated: Press and hold the flip/night light button for 5 seconds to turn on/off the ambient light. (Only for some models)

When leaving the seat: press and hold the flip/night light button for 5 seconds to turn on/off the night light.

Wind temperature button

Short press the [Wind Temperature] button to adjust the drying temperature, which can be turned off heating/ $\approx 35^{\circ}\text{C}$ / $\approx 40^{\circ}\text{C}$ / $\approx 50^{\circ}\text{C}$ respectively.

Seat heating button

Short press the [Seat Temperature] button to adjust the temperature of the seat cushion.

The options are: turn off heating/ $\approx 34^{\circ}\text{C}$ / $\approx 37^{\circ}\text{C}$ / $\approx 40^{\circ}\text{C}$.

Water temperature button

Short press the [Water Temperature] button to adjust the cleaning temperature, which are Off Heating/ $\approx 34^{\circ}\text{C}$ / $\approx 37^{\circ}\text{C}$ / $\approx 40^{\circ}\text{C}$ respectively.

Hidden feature settings.

The following functions need to be operated when the toilet is in the "power off state", press and hold the "stop/power button" to turn off the power

Automatic flip sensing distance adjustment

(Only for some models)

Short press the [Female Wash/Mobile] button, the screen will display L1 - L6 (L1 is off, L2 is the closest distance, L6 is the farthest distance).

Flip cover strength adjustment (Only for some models)

Short press the [Clean +/-] button, the screen will display C1-C9 (C1 being the minimum intensity and C9 being the maximum intensity).

Adjust the rotation force (Only for some models)

Short press the 【forward▲/backward▼ key】 to display S1-S9 on the screen (S1 being the weakest intensity and S9 being the strongest intensity)

Adjust the flushing time

Short press the "flush button", the screen displays F1-F4 gears (F1 is the shortest time, F4 is the longest time).

Automatic flushing function switch

Short press the "Hip Wash/Moving" button to turn it on with a long beep, and turn it off with a short beep.

Automatic lubrication wall function switch

Press and hold for 5 seconds the "flip/night light" button to turn it on with a long beep, and turn it off with a short beep.

Automatic bubble function switch (Only for some models)

Short press the "Dry" button to turn it on with a long beep, and turn it off with a short beep.

Automatic closing function for rings and lids Switch.

Press and hold for 5 seconds 【Bubble/Energy-saving button】 to turn off this function with a beep;

- Set to beep two times and automatically turn off after a short time;
- Set to beep three times and automatically turn off after a some time;
- Set to beep four times and automatically turn off after a long time.

Automatic power-off function switch

(toilet automatically turns off ambient lights, digital display, etc. after leaving the seat)

Press and hold the "move down" key for 5 seconds, it will make a long beep to turn on, and a short beep to turn off.

"The appearance and functions of the remote control are subject to the actual product. "

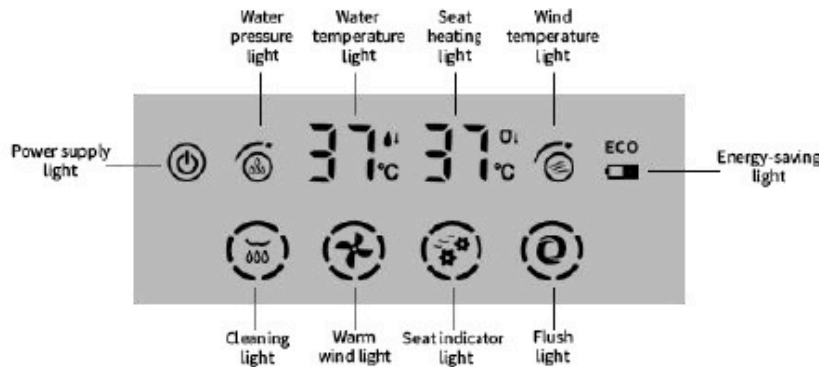
Toilet Usage Instructions

Knob:



1. Press and hold for 5 seconds to turn on/off the toilet.
2. When seated, press shortly to turn on the drying function, and press shortly again to turn off the drying function. When leaving the seat, press the flush button briefly.
3. When seated, start the hip rotation, then move the hips again with the hip rotation. [Women's washing rotation] Start women's washing, and then [women's washing rotation] move women's washing again.

Digital display screen (different models may have different display contents, please refer to the actual product)



1. Temperature display: When in standby mode, it displays the set seat temperature. When adjusting, it displays the set temperature/level.
2. Indicator light: When the function is in use, the corresponding indicator light will flash.

Seat sensing

The human skin must be in close contact with the seat tag position in order to activate the cleaning and drying functions.

Seat induction

The human body stands up and leaves the seat circle.

Automatic flushing when leaving the seat

After sitting for 15 seconds, the toilet will automatically flush when you leave the seat.

Foot feel switch function:

1. When the foot feeling is sensed, flip/turn/close the cover;
2. After detecting that the person has left, the toilet automatically closes the seat and cover and flushes.

Automatic flip (effective for automatic models):

Automatically flip when the human body approaches.

Note: When the speed of human body movement is too slow, it may not be able to sense the approach of the human body; When a man stops urinating and keeps his body still for a long time, it may be misjudged that the person has left and the cover will automatically fall.

Daily maintenance

Attention!

Please cut off the power, close the water supply valve, and stop the water supply before maintenance. During maintenance, it is strictly prohibited to rinse this product with water

Maintenance of steel mesh filters.

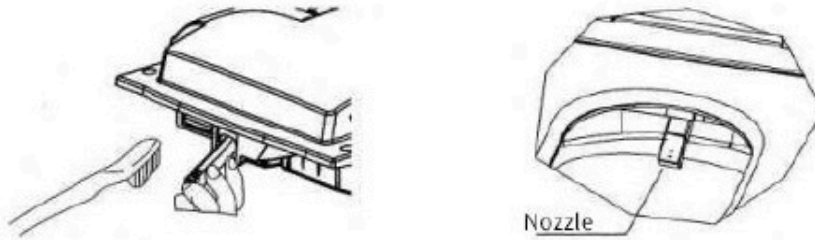


- For your health, please clean the filter (or replace the filter) in a timely manner according to the local water quality.
- When you notice a decrease in cleaning strength, please clean the filter (or replace the filter) in a timely manner.
- When dismantling the filter, please be sure to turn off the water supply valve. When installing the filter, please tighten it firmly to prevent water leakage.
- Rotate the filter counterclockwise with a 1 yuan coin to open it.
- It is recommended to clean the filter once every 1 to 2 months

Cleaning and maintenance methods for plastic products and ceramics.

- When the product is covered with dust or dirt, please wipe it with a soft damp cloth.
- Please use neutral cleaning agents, cold water, and warm water to clean the ceramic parts of the toilet.
- Please do not use inappropriate cleaning agents (such as concentrated sulfuric acid, concentrated nitric acid, glacial acetic acid, carbon tetrachloride, hydrogen cyanide, acetone,
- Butanone, benzene, toluene, phenol, cresol, dimethylformamide, methanol, soybean oil, acetate, 40% nitric acid, concentrated hydrochloric acid, 95% alcohol, gasoline, kerosene, brake fluid, etc.).

Cleaning and maintenance methods for nozzles



- In the state of being turned on and not seated, press the "Self-cleaning/Child-washing" button on the remote control briefly, and the spray rod will automatically extend.
- If there is dirt in the nozzle, gently hold the cleaner and clean it with a toothbrush.
- **Do not use too much force, otherwise the nozzle will be damaged. When the nozzle is clogged, it is recommended to replace it with a new one.**

Winter antifreeze (when the ambient temperature is below 4°C)

1. "When not in use for a long time, such as on a business trip or traveling."
 - ① Please turn off the water supply valve first, then press the "flush" button on the remote control for two or more times to drain the water.
 - ② After draining for 30 seconds, please be sure to unplug the power plug.
2. During the cold winter season, when products are being transported over long distances or stored for extended periods of time.
The remaining water inside the product may freeze, please take anti-freezing measures.

Attention!

- In a warm indoor environment, let the product sit for 30 minutes to thaw naturally before connecting it to water and electricity.
- If freezing occurs and the water cannot be sprayed, you can cover the supply hose of the toilet with a cloth soaked in hot water or cover the connection part of the supply hose to thaw it (do not pour hot water or blow hot air onto the supply hose of the toilet).

Warning!



- Do not add water or cleaning agents to the smart toilet or remote control.
- Do not wet the smart toilet and power plug with water or cleaning agents. Otherwise, there may be a risk of electric shock and fire.